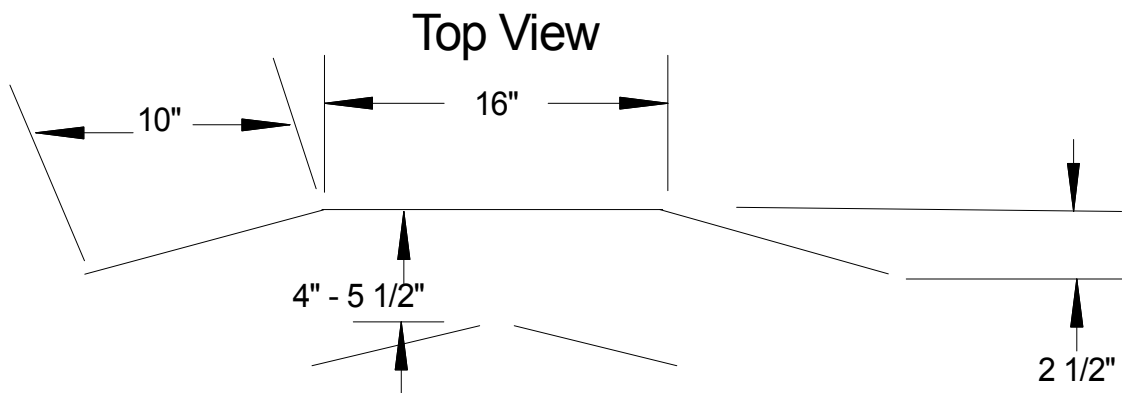
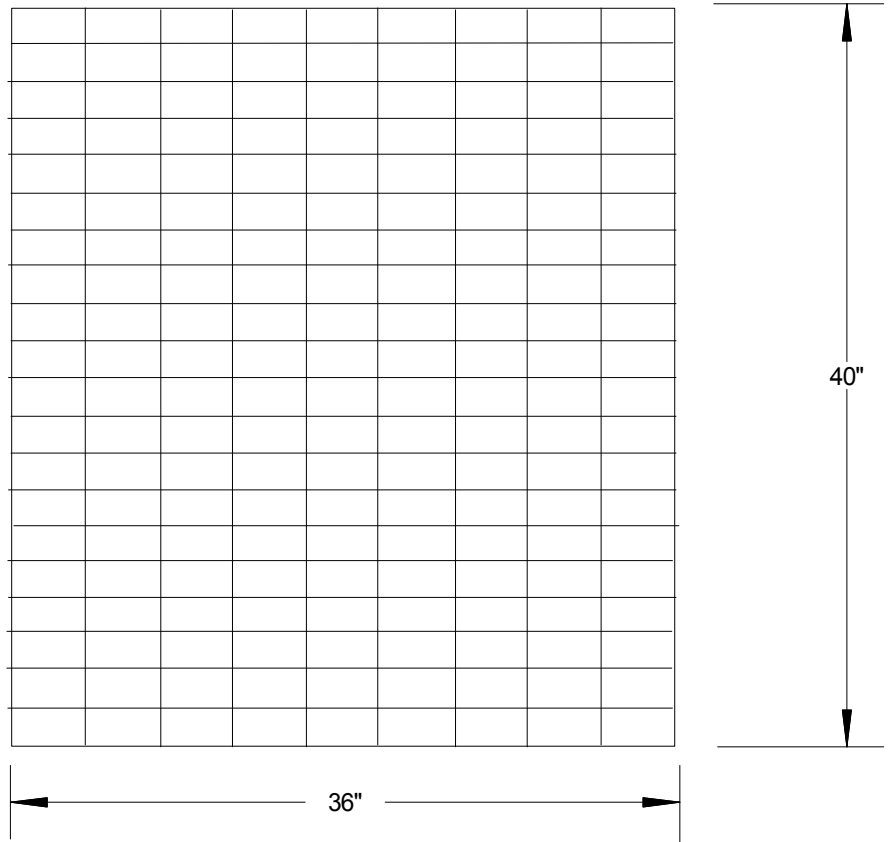


# Reflector Screen

Front View dimensions before bending

The screen must be made of metal and the wires should be no further than 2" apart vertically for best performance. 1" gives slightly more gain and greater rear rejection. It's best not to use chicken wire and absolutely no chain link fence. The angled reflector works best with 2" forward swept driven elements.



The reflector screen can be 36" high but 40" is slightly better. The angle of the bends are critical. The reflector can be wider but the angle must be maintained. Wider screens will give slightly better gain, any width from 30" to 48" works well. Spacing can be varied from 4" to 5 1/2", wider spacing favors the lower UHF channels. For slightly better VHF-Hi performance 14" to 16" reflector spacing can be used.