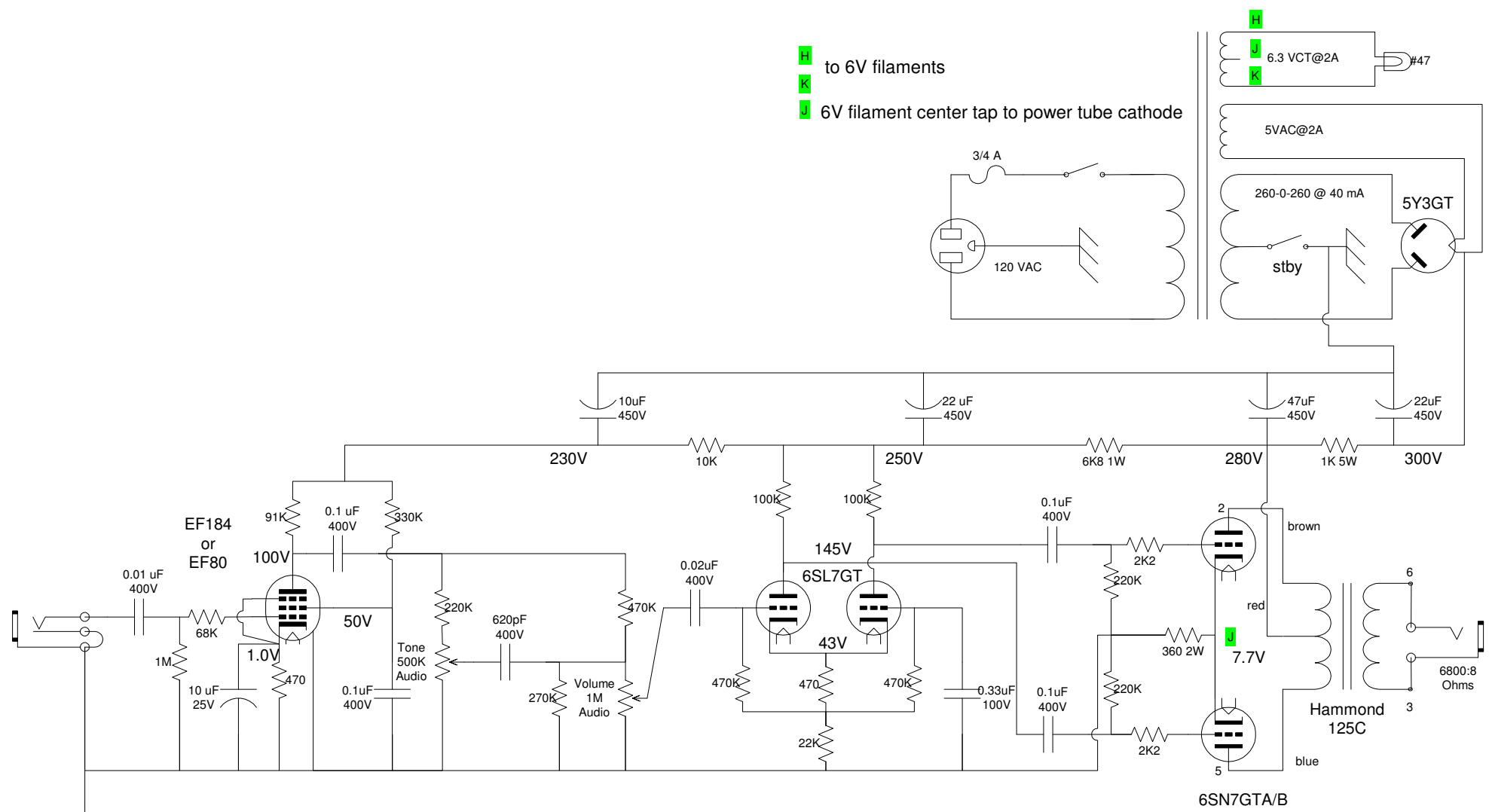
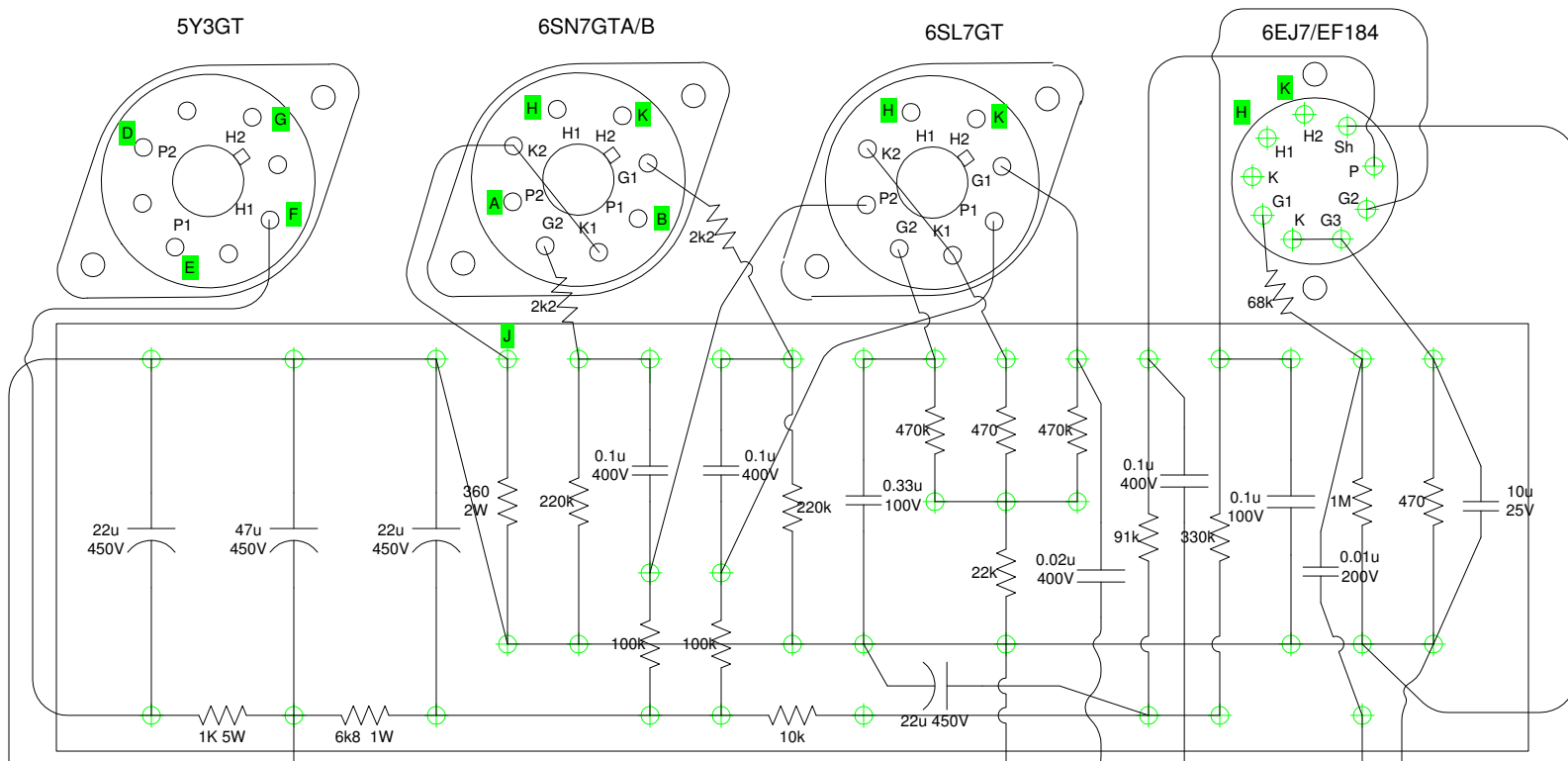


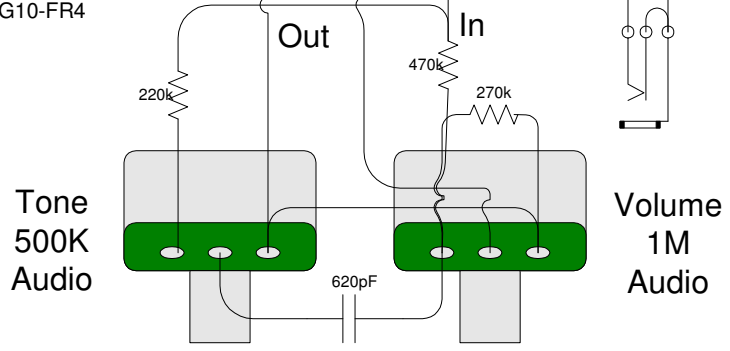
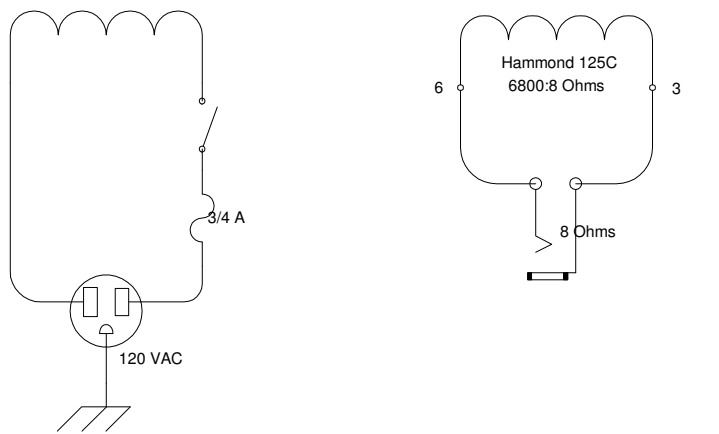
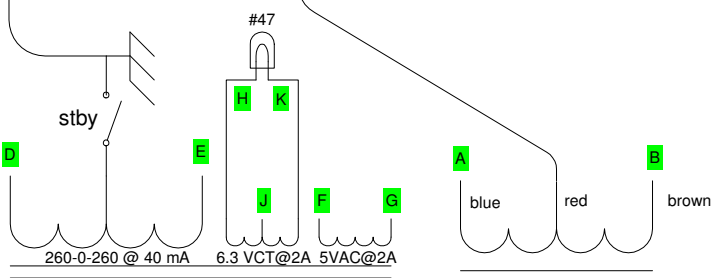
■ H to 6V filaments  
■ K to 6V filaments  
■ J 6V filament center tap to power tube cathode



Moonlight: designed by Simcha (a.k.a Stephen) Delft			
Schematic as built by Jon Fleig, May 2004 <a href="http://www.frontiernet.net/~jff/moonlight/Moonlight_cranked_amp_tone_at_non-lethal_volume.html">http://www.frontiernet.net/~jff/moonlight/Moonlight_cranked_amp_tone_at_non-lethal_volume.html</a>			
	SIZE	FSCM NO	DWG NO
			REV
(c) 2005 Jon Fleig	SCALE	1 : 1	SHEET 1 OF 3



Turret board: 7.75" x 2.25" x 0.125" G10-FR4



Moonlight: designed by Simcha (a.k.a Stephen) Delft			
Layout designed and built by Jon Fleig, May 2004 <a href="http://www.frontiernet.net/~jff/moonlight/Moonlight_cranked_amp_tone_at_non-lethal_volume.html">http://www.frontiernet.net/~jff/moonlight/Moonlight_cranked_amp_tone_at_non-lethal_volume.html</a>			
SIZE	FSCM NO	DWG NO	REV
(c) 2005 Jon Fleig		SCALE 1 : 1	SHEET 2 OF 3

Enclosure: Velleman G-124  
222mm x 146mm x 55 mm

