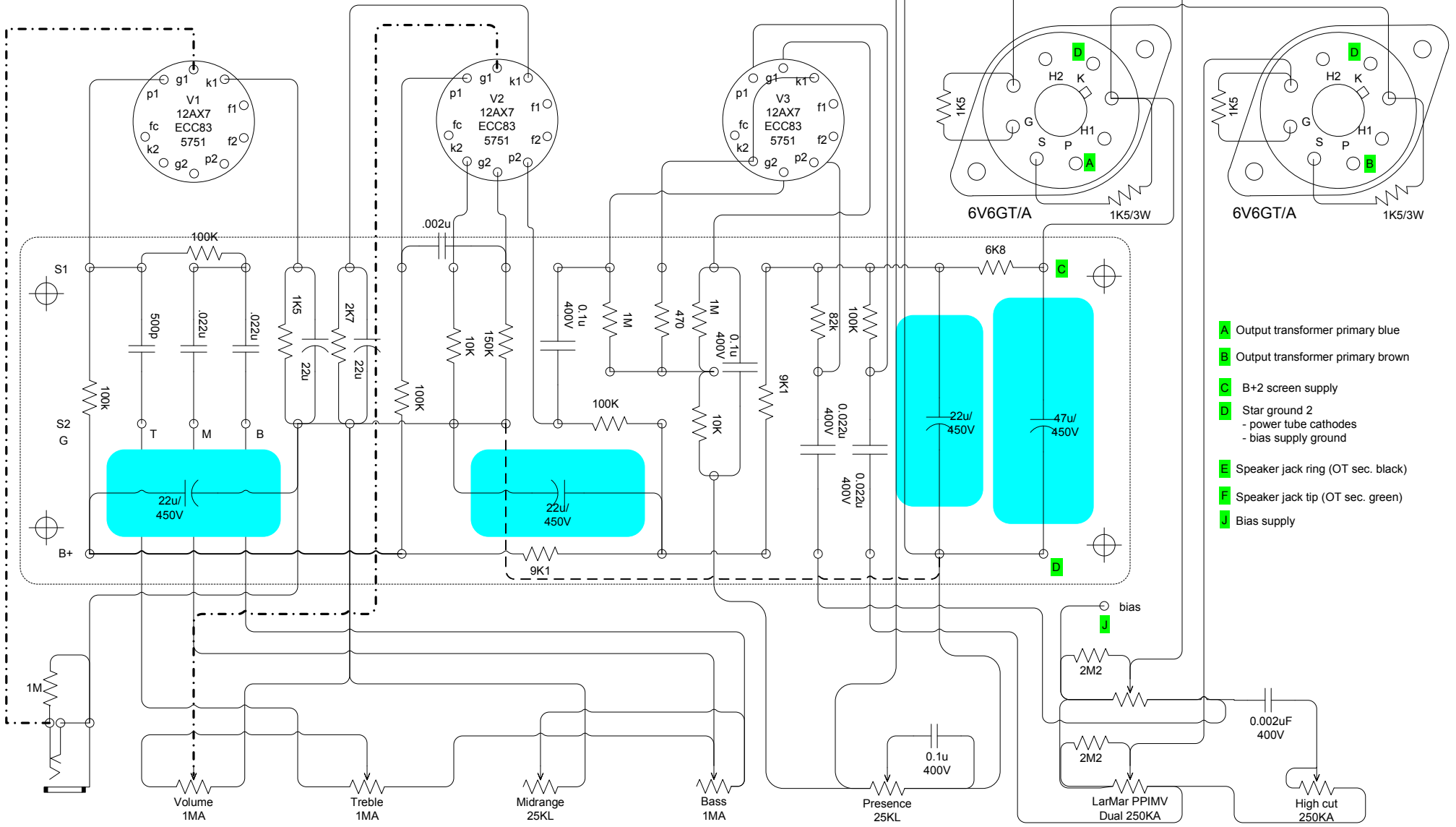


Moonwreck Express				
Jon's layout for a Trainwreck Express-like Amplifier Chassis began life as a Peavey Envoy 110 transistor amp, reborn into a pentode preamp PP 6V6 tube amp, now re-born again using Ken Fisher's famous circuit				
SIZE	FSCM NO	DWG NO	REV	
SCALE	1 : 1	SHEET	1 OF 3	
Designed by: Jon Fleig January - February 2015				



- A** Output transformer primary blue
- B** Output transformer primary brown
- C** B+2 screen supply
- D** Star ground 2
- power tube cathodes
- bias supply ground
- E** Speaker jack ring (OT sec. black)
- F** Speaker jack tip (OT sec. green)
- J** Bias supply

