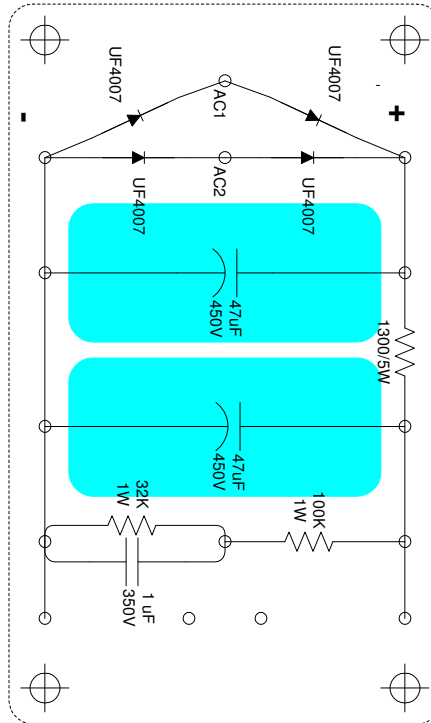
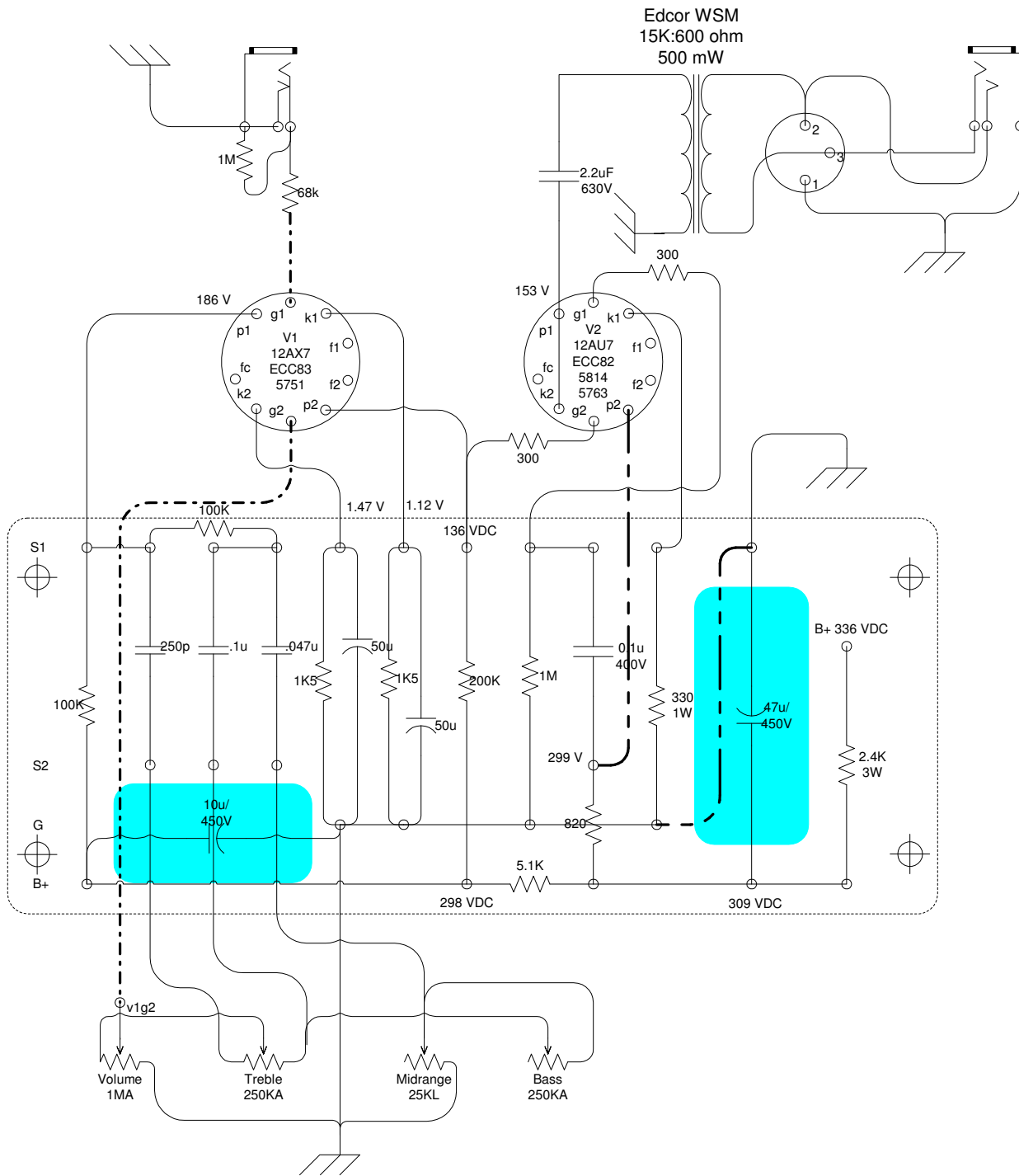


Son of Alembic F-2B		REV 0.3	SHEET 1 OF 5
Fender Blackface Preamp Module with optimal White Cathode Follower output section		FSCM NO	DWG NO
SIZE	SCALE 1 : 1	DESIGNED BY: Jon Fleig March 2010	



		Son of Alembic F-2B		
		Dual Channel Preamp Power Supply Module		
	SIZE	FSCM NO	DWG NO	REV 0.3
Designed by: Jon Fleig May 2010	SCALE	1 : 1	SHEET	2 OF 5



Son of Alembic F-2B			
Fender Blackface Preamp Module with optimal White Cathode Follower output section			
SIZE	FSCM NO	DWG NO	REV
			0.3
SCALE	1 : 1	SHEET	3 OF 5
Designed by: Jon Fleig May 2010			

